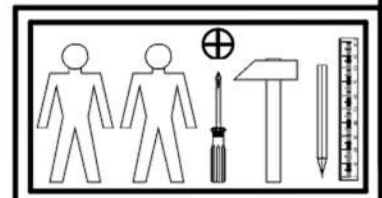
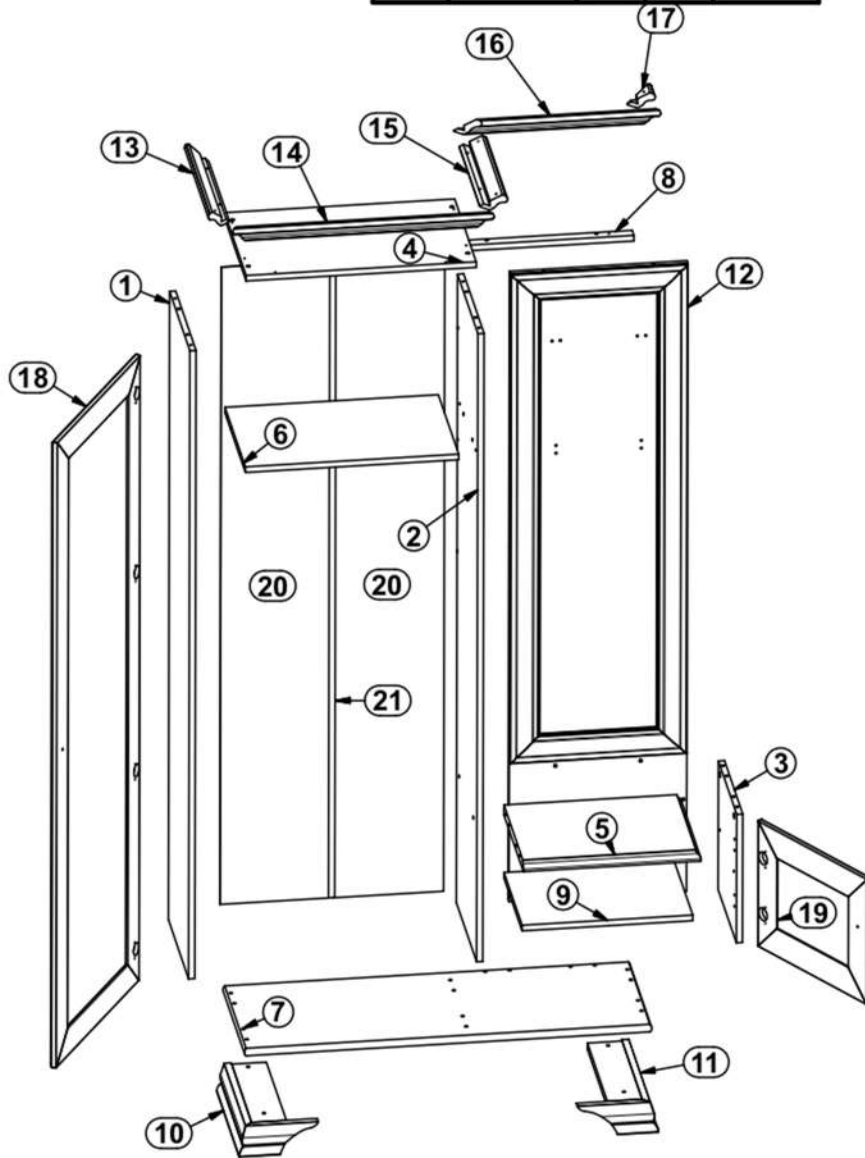
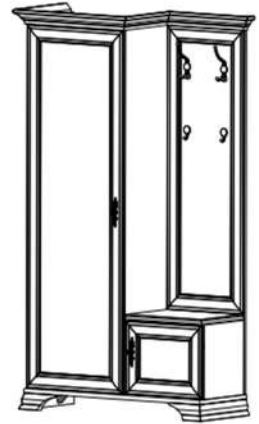
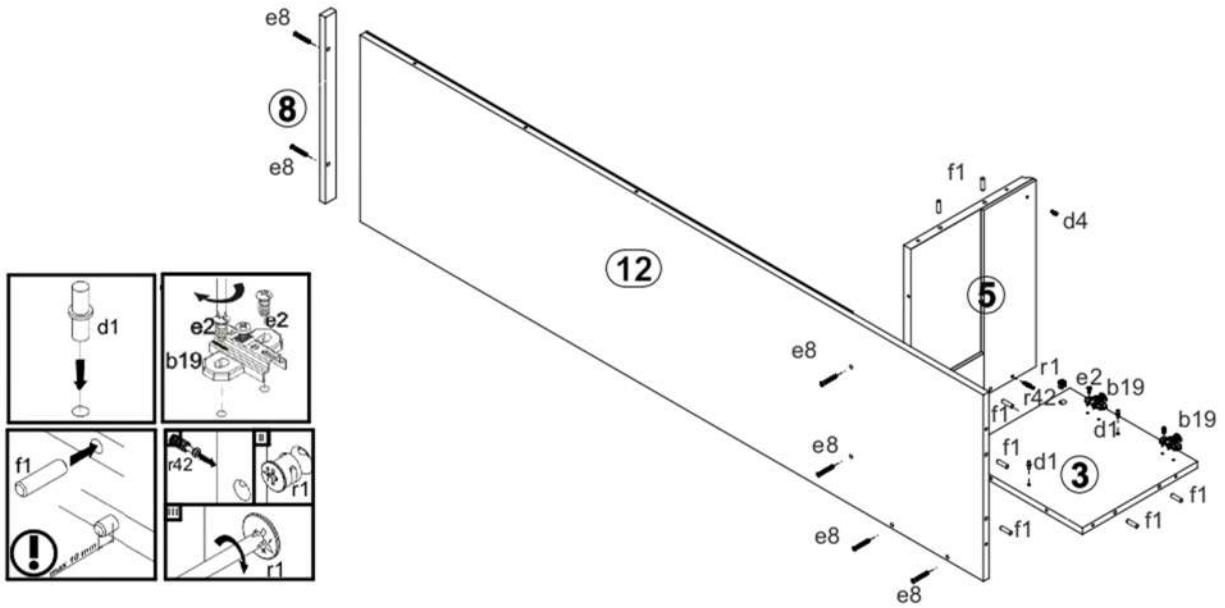
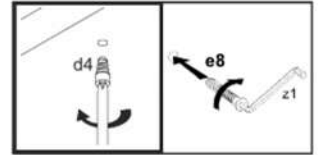


A	B	C	D	A	B	C	D		
1	S320-158N	1928	370	1/7	11	S320-514	408	210	5/7
2	S320-1160N	1928	370	1/7	12	S320-2249N	1928	466	2/7
3	S320-159	368	332	3/7	13	S320-587	433	80	4/7
4	S320-248	599	392	3/7	14	S320-585	681	80	4/7
5	S320-2251N	466	354	3/7	15	S320-586	433	80	4/7
6	S320-332A	555	370	3/7	16	S320-588	534	80	4/7
7	S320-247	1064	392	3/7	17	S320-527	64	80	4/7
8	S320-252	466	33	3/7	18	S320-0041/N	1920	581	7/7
9	S320-333	448	328	3/7	19	S320-0040	360	459	6/7
10	S320-513	408	210	5/7	20	S320-1937N	1954	291	1/7
					21	Lh-1922	1922	14	1/7

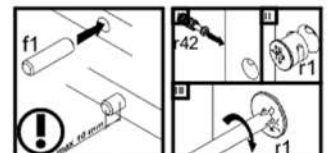
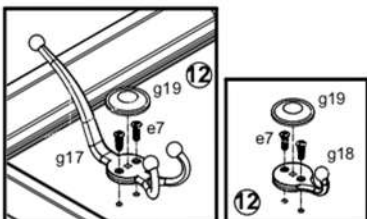
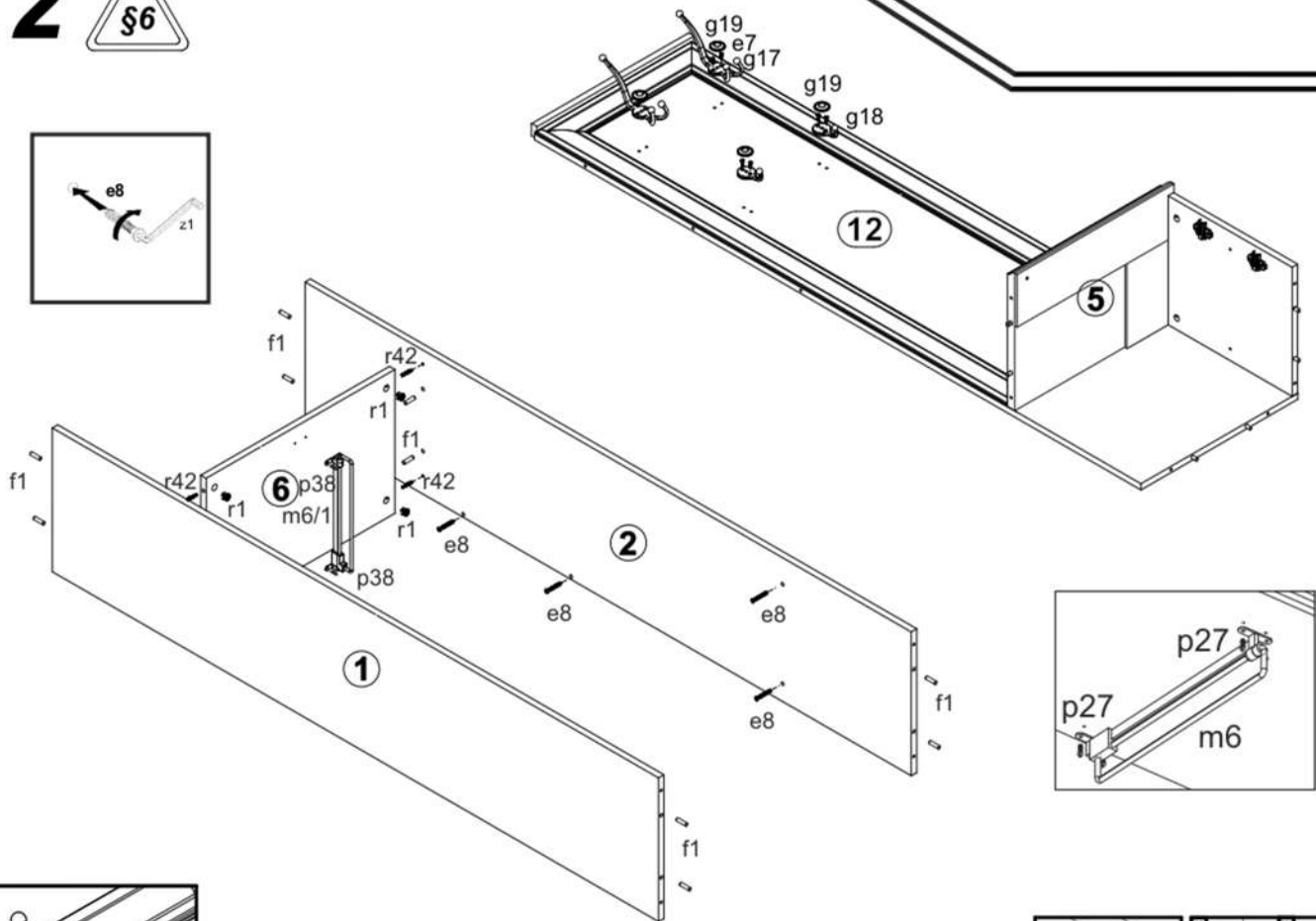
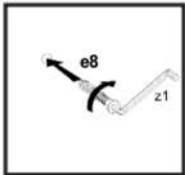


12x φ6.3x13 mm e2	50x l1	6x φ1.5x12mm +16 r1	20x φ8x30 mm f1	1шт. L-300m6/1	4x φ3.5x16 mm p38	2x c35i1	2x c35i2
4шт. x17 mm d1	4x φ7.25 mm e26	23x φ7x60 mm e8	8x φ4x25 mm p8	4x 20x26x10/1 - 125° n40	8x φ3x7 mm p46	2x M4x30 mm j6	6x a44
1шт. x60 mm p17	1x n26	1шт. x50 mm f35	6x ø16 s2	1x φ3.5x16 mm p38	5шт. s1	6x b19	12x φ3.5x15 mm p51
1шт. z1	1x φ6.3x15 mm d4	6x r42	2x g17	2x g18	8x φ6.3x16 mm e7	4x g19	

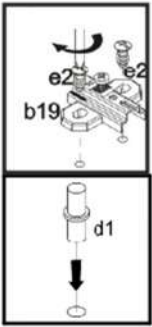
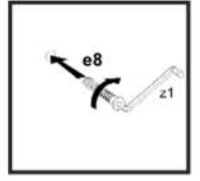
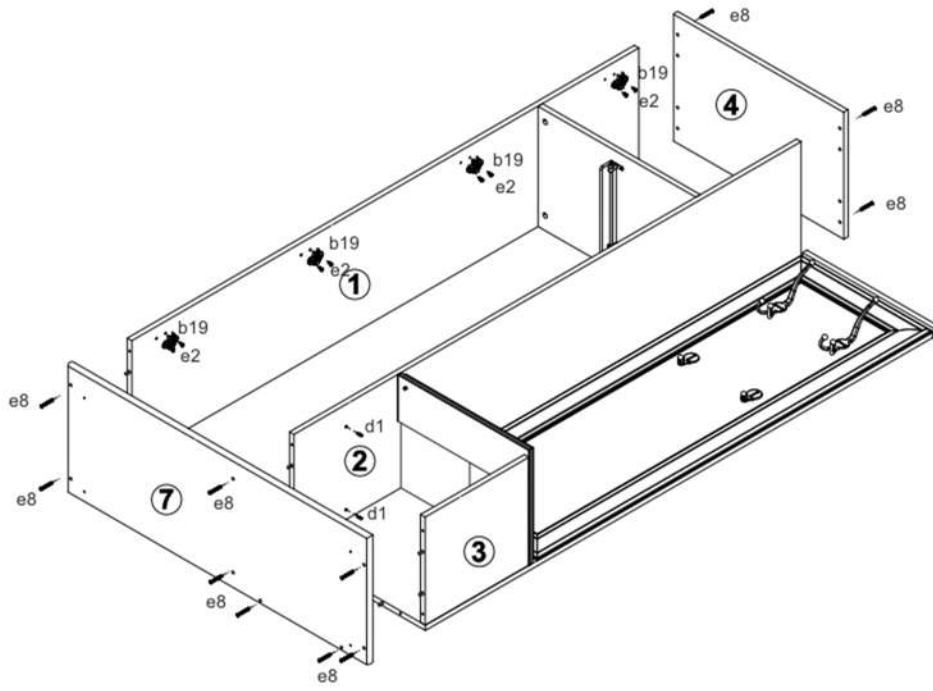
1



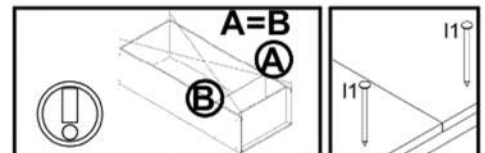
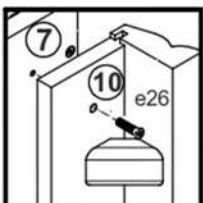
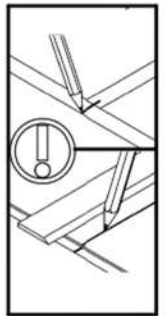
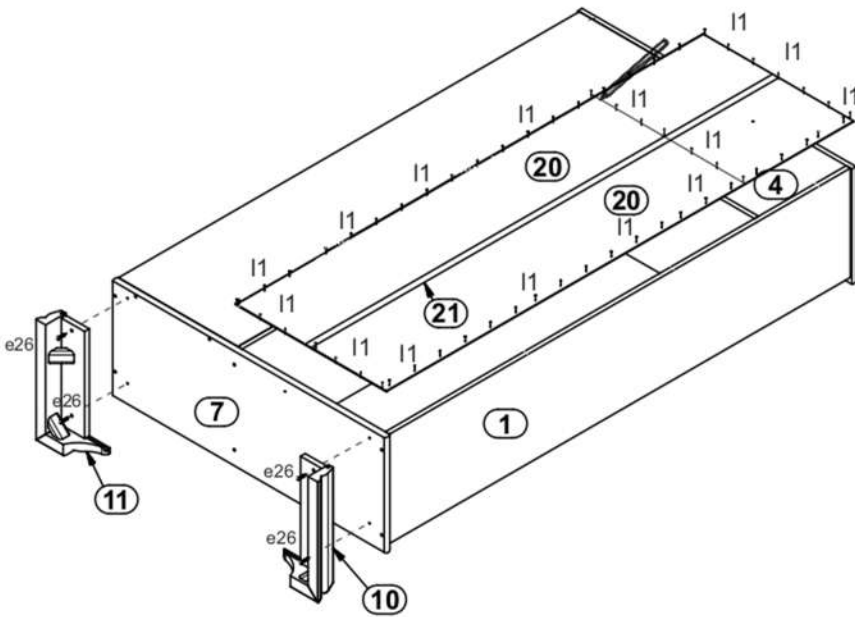
2



3



4



5

